



Model 4211/4212



Doc: CH-4211/02

Nov 2007

Air operated fire-safe & anti-static 2 way PN16 stainless steel ball valve with kit.

Full bore 2 way 2 piece API607 firesafe tested stainless steel ball valve, ends flanged PN16, designed for automation with integrally cast ISO5211 actuator mounting platform, fitted via a stainless steel mounting kit with ATEX approved CH-air 'A' type pneumatic actuator. Supplied assembled and dry bench function tested. Minimum of 80 psi (5.5 bar) air supply pressure to the actuator is required.

4211 With double acting actuator

4212 With spring return actuator

Size range 1/2" to 6" (For ASA150 flanged option, see 4511/2)

Applications:

Water, low pressure steam, oil, air and most solvents and alkalis, subject to compatibility with wetted parts in contact with media. Actuators sized on a maximum differential pressure of 10 bar wet service, if the intended duty is above this differential, or dry (air or gas) call to check actuator sizing as a larger output actuator may be required.

Maximum working temperature of valve & actuator assembly is +130C. If the intended duty is at a higher temperature than this, contact us as for options.

Valve Specifications:

Body	CF8M Cast 316SS
Ball	CF8M Cast 316SS
Seats	PTFE, graphite seals
Pressure rating	16 bar
Valve temp limits	-20 to +200°C
Actuator temp limits	-20 to + 80°C

Accessories:

Solenoid control:

This provides electrical control of the valve. The air is constantly supplied to the solenoid which in turn controls the air to and from the actuator. The solenoid direct mounts to the actuator using the actuator's Namur connection.

Position Confirmation:

Remote end of travel confirmation can be provided by adding a top mounted limit switch box. A variety of switch options and housings are available
See our LSB range for details.

Position control:

The standard on/ off function can be converted to modulating function, using either a 3-15psi or 4-20mA control signal, by adding a pneumatic or electro-pneumatic positioner.
See our YT range for details.



Quick guide to the CH-air A Type actuator standard features :

Robust rack and pinion construction

High accuracy machining of components

ATEX Ex II 2 GD approved for use in hazardous areas

CE Approved

Guaranteed for 1,000,000 cycles

Balanced air & spring strokes in spring return version

Safe to dismantle for routine maintenance

Compliant with all actuator standards

Accessories are easy to mount

Hard anodised aluminium body

*ENP coated option
(Extra cost)*

*Teflon® coated option
(Extra cost)*

*Stainless steel version
(Extra cost)*



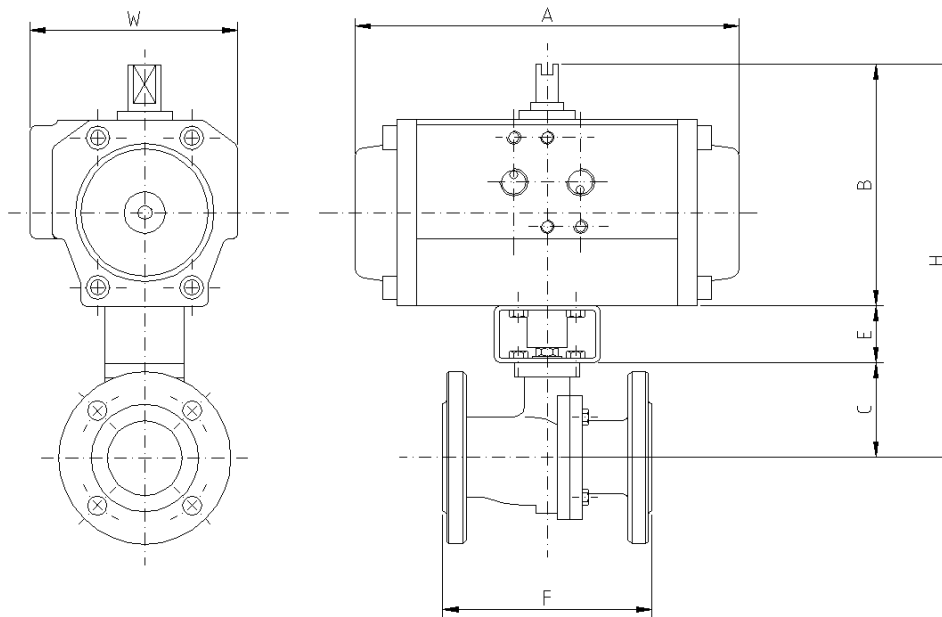
Model 4211/4212



Doc: CH-4211/02

Nov 2007

Air operated fire-safe PNI6 stainless steel ball valve with kit - Dimensions (to nearest mm)



Double Acting									
	Model	A	B	C	E	F	H	W	Kilos
1/2"	CH063	156	103	49	50	115	202	86	4.3
3/4"	CH063	156	103	54	50	120	207	86	4.9
1"	CH063	156	103	59	50	125	212	86	5.7
1 1/4"	CH075	210	120	73	50	130	213	94	8.9
1 1/2"	CH075	210	120	89	50	140	259	94	10.9
2"	CH075	210	120	97	50	150	267	94	13.3
2 1/2"	CH085	228	130	116	70	170	316	104	19.1
3"	CH115	310	172	133	70	180	375	134	30.0
4"	CH115	310	172	157	70	190	399	134	36.7
Spring Return									
1/2"	CH063SR	156	103	49	50	115	202	86	4.6
3/4"	CH075SR	210	120	54	50	120	224	94	6.6
1"	CH075SR	210	120	59	50	125	229	94	9.3
1 1/4"	CH085SR	228	130	73	50	130	253	104	10.7
1 1/2"	CH100SR	281	145	89	50	140	284	120	14.7
2"	CH100SR	281	145	97	50	150	292	120	17.0
2 1/2"	CH115SR	310	172	116	70	170	358	134	25.0
3"	CH115SR	310	172	133	70	180	375	134	30.1
4"	CH125SR	362	185	157	70	190	412	141	37.6



Valve Data Sheet



Doc: BVSS-M90AF/01

Nov 2007

Full bore direct mount PN16 flanged anti-static & fire-safe stainless steel ball valve



Specifications:

Construction	2 Pce full bore direct mount fire safe ball valve
Size Range (Full)	1/2" to 8" Flanged PN16
Pressure Rating	PN16
Valve Body Material	ASTM A351 CF8M
Trim Material	ASTM A351 CF8M
Seat Material	PTFE
Seal Material (Options)	PTFE / Graphoil
Inspection & Test	API 598 BS6755 Pt 1 API 607
Standards	ANSI B16.34, ANSI 16.25, ANSI B1.20, API 6D ISO5211 I, MSS SP25, MSS SP55 DIN 259, DIN 2999, DIN3337. DIN 3202
Certification	EN 10204 3.1b on request
Temperature Range	-20 to +190C

Approvals:

Approved ?



API 6D



PED/97/23/EC



ATEX 94/9/EC
II 2 GD



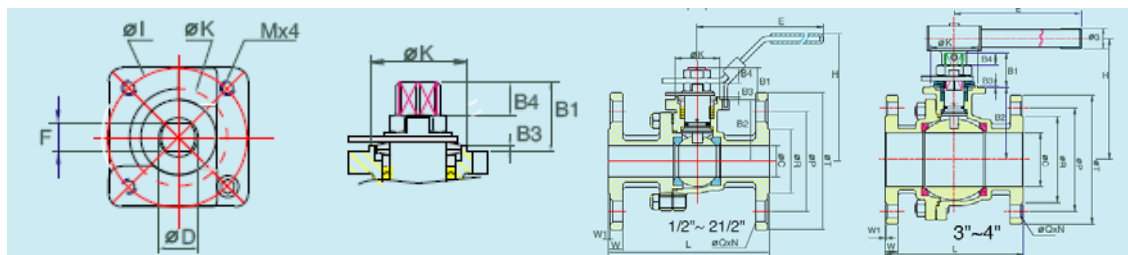
API 607 4th Ed'n /
BS6755 Pt 2



TA-Luft



Dimensions:



90-30 F1 (PN10/16) / 90-40 F4 (PN10/16)

SIZE	B1+0.5	B2	B3	B4+0.5	øC	øD	E	F	øG	H	øI	øK	F4	+F1	M	N	øP	øQ	øR	øT	W	W1	W1(kg)	ISO5211
1/2"	23	34.5	1	9.2	15.0	11.1	170	8.0		80	42	30	115	130	M5	4	65	14	45	95	16	2	2.23	F04
3/4"	23	42.5	1	10.2	20.0	11.1	170	8.0		87	42	30	120	150	M5	4	75	14	58	105	18	2	3.10	F04
1"	23.5	50	2	8.1	25.0	14.3	207	9.7		103	50	35	125	160	M6	4	85	14	68	115	18	2	4.11	F05
1 1/4"	23.5	54.7	2	8.1	32.0	14.3	207	9.7		108	50	35	130	180	M6	4	100	18	78	140	18	2	5.56	F05
1 1/2"	34.8	78	2	14.8	38.0	19.0	261	12.0		153	70	55	140	200	M8	4	110	18	88	150	16	3	7.64	F07
2"	34.8	86.7	2	14.8	50.0	19.0	261	12.0		162	70	55	150	230	M8	4	125	18	102	165	18	3	9.45	F07
2 1/2"	34.8	98	2	14.8	65.0	19.0	261	12.0		173	70	55	170	290	M8	4	145	18	122	185	18	3	13.93	F07
3"	46	108.0	2	23.5	80	24.0	365	15.0	27.0	175.4	102	70.0	180	310	M10	8	160	18	138	200	20	3	18.6	F10
4"	46	123.0	2	23.5	100	24.0	365	15.0	27.0	190.5	102	70.0	190	350	M10	8	180	18	158	220	20	3	25.86	F10