

ELECTRICALLY OPERATED SS FLANGED BALL VALVE



Direct mount

With mounting kit

Features:

- > Full bore valve for maximum flow rate
- > Antistatic & anti blow-out proof stem
- > 316 Stainless body, ball & stem
- > Valve rated at 16 bar
- > J2 Smart RedBox electric actuator
- > IP65 Weatherproof
- > Robust & reliable
- > Economically priced

TYPE 4713

General:

Utilising a full bore valve with all stainless wetted parts, this valve and actuator package provides excellent reliability in service.

The J2 Smart Redbox electric actuator offers multi-voltage capability, electronic torque limiter, anti-condensation heater, local and remote position confirmation and manual override.

Same wiring connection for AC & DC power supplies, with external DIN plug connections, eliminating the need

Specifications:

Valve body	CF8M (Sat 316 stainless)
Valve ball	CF8M (Sat 316 stainless)
Ball seats	PTFE
Stem seals	PTFE
Valve pressure range	16 bar *
Valve temp. limits	-40C to +200C **
Supply voltage to actuator	24DC; 24, 110 or 240VAC

Applications:

Water, oil, air & many chemicals, subject to compatibility with wetted parts in contact with media.

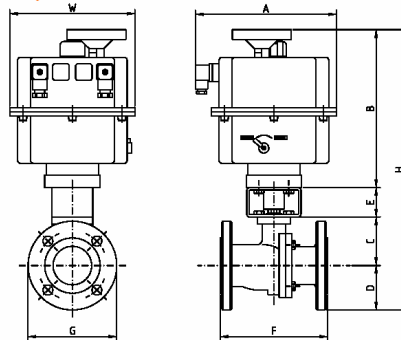
Actuators sized using maximum differential of 6 bar wet service – if this is to be exceeded, call to check actuator sizing.

** Actuator temperature limit is +70C. Mounting kit dissipates some heat due to air cooling, but applications exceeding +100C may need an extended height mounting kit. Call for pricing.

Installation:

Can be mounted in any orientation, although valve horizontal with actuator vertical is preferred. Valve ends are BS4504 PN16 flanged.

Dimensions: (For direct mount version deduct 'E')



On/Off, stays put on power failure: Type 4713

SIZE	A	B	C	D	E	F	G	H	W	ACT
1/2	169	147	34	47	50	115	95	278	104	J2-20
3/4	169	147	41	53	50	120	105	285	104	J2-20
1	169	147	49	58	50	125	115	304	104	J2-20
1 1/2	169	195	78	75	50	140	150	398	104	J2-55
2	235	252	86	83	70	150	165	491	214	J2-140
2 1/2	235	252	97	93	70	170	185	512	214	J2-140
3	235	252	107	100	70	180	200	529	214	J2-140
4	235	252	122	110	70	190	220	554	214	J2-300

Wiring Diagram (AC or DC):

